

LUBRICATION

ORDER

L05-6115-440-12

1 JULY 1968

GENERATOR SET, GASOLINE ENGINE 7.5 KW, DC, 28 V; TWO-WIRE; AIR COOLED; WHEEL MOUNTED,(JOHN R HOLLINGSWORTH CO. MODEL JHGV7.5A) W/ WISCONSIN ENGINE MODEL MVH4D

Reference: C9100-IL

Intervals are based on normal hours of operations. Adjust to compensate for abnormal operations and severe conditions. During inactive periods, sufficient lubrication must be performed for adequate preservation.

Clean fittings before lubricating.

Relubricate after washing.

Clean parts with SOLVENT, dry-cleaning, or with OIL, fuel, Diesel. Dry before lubricating.

Lubricate points indicated by dotted arrow shafts on both sides of equipment.

Drain crankcase when hot. Fill and check level.

FOLD

FOLD

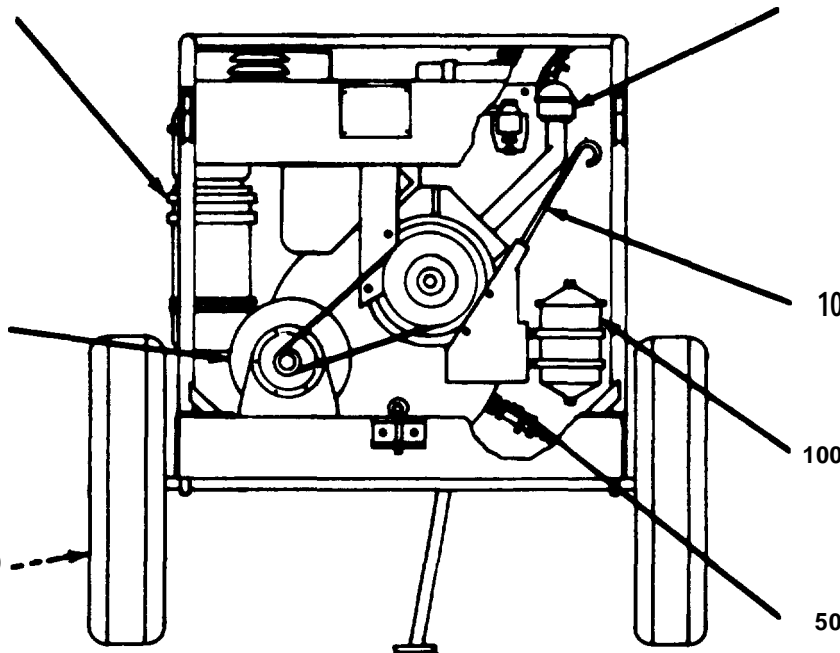
LUBRICANT ● INTERVAL

INTERVAL ● LUBRICANT

Air Cleaner OE 10
(See key.) (Refill oil reservoir to level mark. Every 100 hours, disassemble entire unit, clean, reoil, and reassemble.)

Starter Generator (Sealed Bearings; No Lubrication Required)

Wheel Bearings GAA 1000
(Remove wheel, clean, inspect and lubricate bearings and reassemble)
(See note 4)



OE Crankcase Fill Cap (See key)
CAUTION: When OES Oil is used the level will be checked more often.

10 Crankcase Level Gogge (Check level.)

100 Oil Filter (see note 3)

50 Crankcase Drain Plug (Drain and refill.)

- KEY -

LUBRICANTS	CAPACITY	EXPECTED TEMPERATURES			INTERVALS
		Above + 32°F	+ 40°F to - 10°F	0°F to - 65°F	
OE-OIL, Engine, Heavy Duty		OE 30	OE 10	OES	Intervals given are in hours of normal operation
Crankcase	5 qts.				
Air Cleaner	1 qt.				
Oil Can Points					
OES-OIL, Engine, Sub-zero		ALL TEMPERATURES			
GAA-Grease, Automotive & Artillery					

NOTES:

- FOR OPERATION OF EQUIPMENT IN PROTRACTED COLD TEMPERATURES BELOW - 10°F. Remove lubricants prescribed in the key for temperatures above - 10°F. Relubricate with lubricants specified in the key for temperatures below - 10°F.
- OIL CAN POINTS. Every 50 hours, lubricate linkage pins, clevises and all exposed threads with OE.
- OIL FILTERS. Every 100 hours, remove filter elements, clean housings; install new element, fill crankcase, operate engine for 5 minutes, check for leaks, check crankcase oil level, and bring to a full mark.
- WHEEL BEARINGS. Every 1000 hours, remove wheels, inspect all parts, replace damaged or worn parts, repack bearings and reassemble.
- LUBRICANTS. The following is a list of lubricants with the Military Symbols and applicable specification numbers.

OE MIL-L-2104 GAA MIL-G-10924
 OES MIL-L-10295

Copy of this Lubrication Order will remain with the equipment at all times; instructions contained herein are mandatory.

BY ORDER OF THE SECRETARY OF THE ARMY:

HAROLD K. JOHNSON,
 General, United States Army,
 Chief of Staff.

OFFICIAL:

KENNETH G. WICKHAM,
 Major General, United States Army,
 The Adjutant General.

FOLD

FOLD